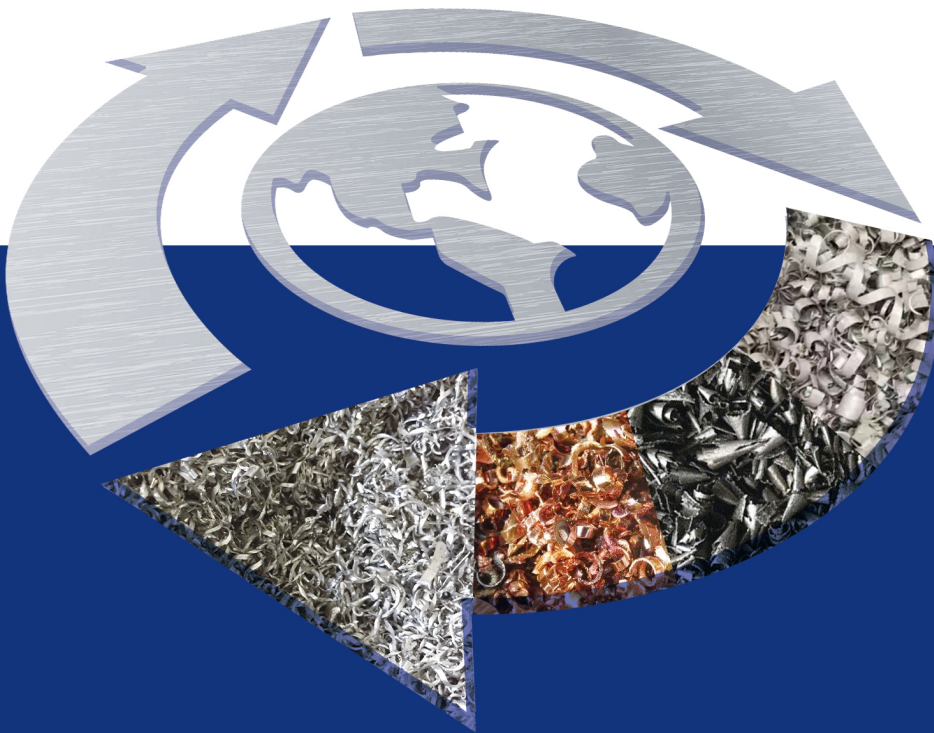




RECYCLING SYSTEMS





Y83 series hydraulic metal chips briquetting press

Technical Specification

Features

High-Efficiency Hydraulic System: Integrated large-flow valve block minimizes pressure loss and ensures powerful, stable performance.

Reliable & Stable Operation: Unique oil circuit and electro-hydraulic valves enable consistent heavy-duty operation.

Shock-Free Pressure Release: Built-in pre-unloading device eliminates hydraulic shock, protecting core components.

Fast Cycling & High Output: Advanced quick-action system shortens cycle time and increases productivity.

Intelligent Auto Control: PLC-based automatic control ensures strong interference resistance and low failure rates.

Overview

The Y83 Series Hydraulic Metal Chip Briquetting Press transforms metal scraps into high-density briquettes, minimizing melting loss and enhancing storage and transport efficiency.

Benefits

Enhanced Melting Efficiency: Reduced surface area enables faster heat transfer.

Lower Storage & Transport Costs: Significantly compressed volume saves space and freight.

Improved Operational Safety: Effectively expels cutting fluids/oils to eliminate safety hazards.

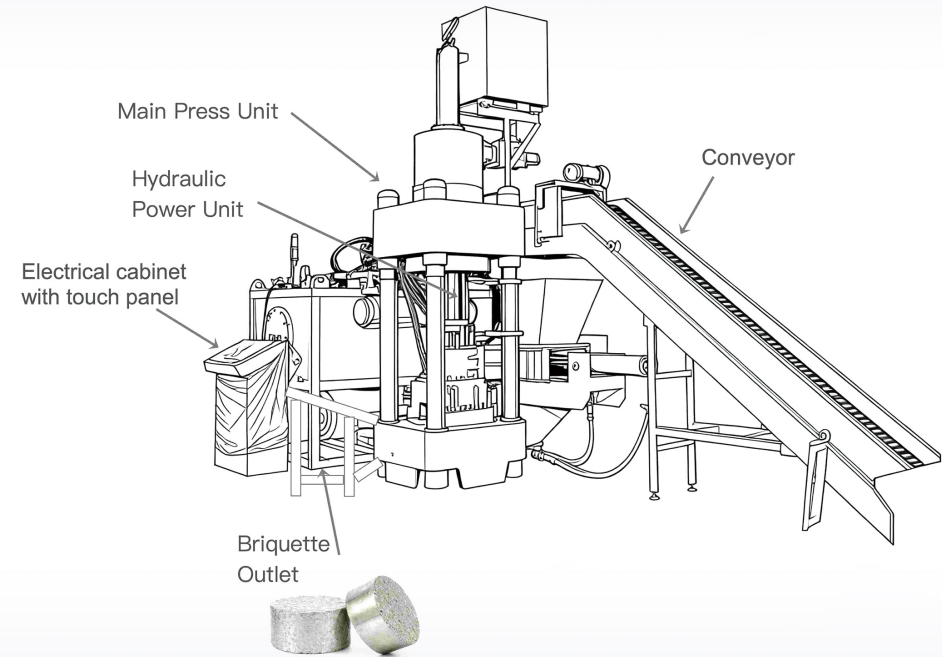
Materials

Metal Chips: e.g., iron, copper, aluminum, and stainless steel chips.

Metal Powders: e.g., iron, aluminum, copper, and lead powders.

Metal Turnings: e.g., steel and iron turnings.

Non-Metallic Materials (e.g., Sawdust, Paper Waste).



Model	Main cylinder maximum power (kN)	Briquette diameter (mm)	Drive power(kW)	Density(g/cm ³)			Capacity(t/h)		
				Aluminum	Steel	Copper	Aluminum	Steel	Copper
Y83L-250	2500	80~120	22	< 2.4	< 5.5	< 7.0	< 0.3	< 0.5	< 0.5
Y83L-360	3600	120~160	30				< 0.5	< 1	< 1.3
Y83L-500	5000	160~180	73				< 1	< 1.6	< 1.8
Y83L-630	6300	180~250	109				< 2	< 3	< 3.6
Y83L-800	8000	230~280	165				< 3	< 7	< 7.5
Y83L-1000S	11600	260~330	287				< 5	< 9	< 11
Y83L-1250	13690	260~360	395				< 7	< 13	< 15.5

Customizable & Automated: Available in Y83L/W models with PLC control. Optional auto-feeding and weighing systems to maximize efficiency for your specific material and needs.

ONE COMPANY, ONE TEAM.
ONE EXPERTISE, ONE EARTH.



JIANGYIN TITAN MACHINERY EQUIPMENT CO., LTD

Phone: +86 13921207767

aaron@titan-recycling.com

<https://titan-recycling.com/>

