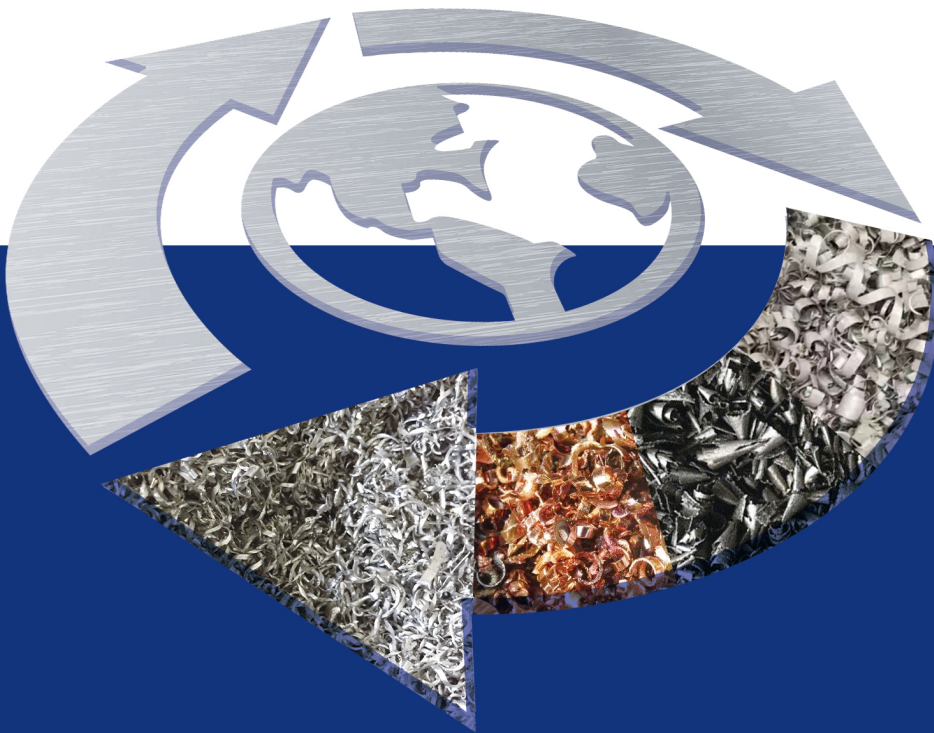


 **TITAN**

**RECYCLING SYSTEMS**





## TS series single/double shaft shredder

## Technical Specification

### Features

**High-Efficiency Blades:** Alloy steel blades ensure effective shredding and long service life.

**Reinforced Structure:** Thickened plate frame resists torsion and deformation under high torque.

**Intelligent Control:** PLC system with forward/reverse operation and overload auto-reverse protection.

**High-Torque Drive:** Low-speed, high-torque operation with quiet performance and minimal maintenance.

**Dual-Shaft Models (TDS):** Process bulky materials like vehicle shells, industrial waste, e-waste and containers.

**Single-Shaft Models (TSS):** Produce uniform output for briquetting and downstream processing, compatible with Y83 presses.

### Overview

TS Series Shredders integrate global technologies with single-shaft (TSS) and dual-shaft (TDS) models for efficient pre-shredding in solid waste recycling and resource recovery applications.

### Benefits

**Enhanced Value:** Shredding increases material density for higher returns; combined with Y83 briquetting press for maximum value.

**Efficient Smelting:** Smaller surface area improves heat transfer, accelerating melting and reducing costs.

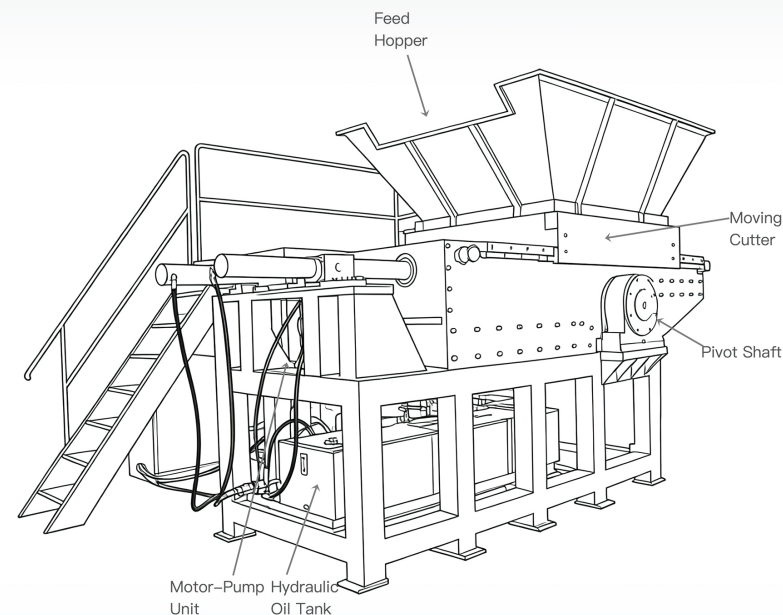
**Reduced Logistics:** Significant volume compression saves storage space and transportation expenses.

### Materials

**Non-Metallic Solid Waste:** e.g., e-waste, plastic products, wooden pallets, waste tires.

**Processed Metal Scrap:** e.g., lathe turnings, CNC chips.

**Light & Medium Metallic Materials:** e.g., bicycles, paint cans, color steel sheets, door/window profiles.



Model	Motor Power (kW)	Blades	Weight (tons)	Output (kg/h)
TDS-600	11 KW + 11 KW	20 blades, 30 mm thick	2.6	400-500
TDS-800	15 KW + 15 KW	20 blades, 40 mm thick	3.5	700-800
TDS-1000	22 KW + 22 KW	20 blades, 50 mm thick	5	800-1200
	30KW+30KW	20 blades, 50 mm thick	6	1200-1500
TDS-1200	37KW+ 37KW	24 blades, 50 mm thick	9	1800-2000
	55KW+55KW	20 blades, 60 mm thick	14	2500-3000
TSS-600	22KW/30KW	30 blades	2.4	300-500
TSS-700	37KW	39 blades	3.2	300-500
TSS-800	45KW	40 blades	4	600-900
TSS-1000	55KW	52 blades	4.8	700-1500
TSS-1400	75KW	88 blades	6.2	3000~4000

Customizable series with adaptable power and torque configurations for optimal solid waste processing under varying working conditions.

ONE COMPANY, ONE TEAM.  
ONE EXPERTISE, ONE EARTH.



JIANGYIN TITAN MACHINERY EQUIPMENT CO., LTD

Phone: +86 13921207767

aaron@titan-recycling.com

<https://titan-recycling.com/>

